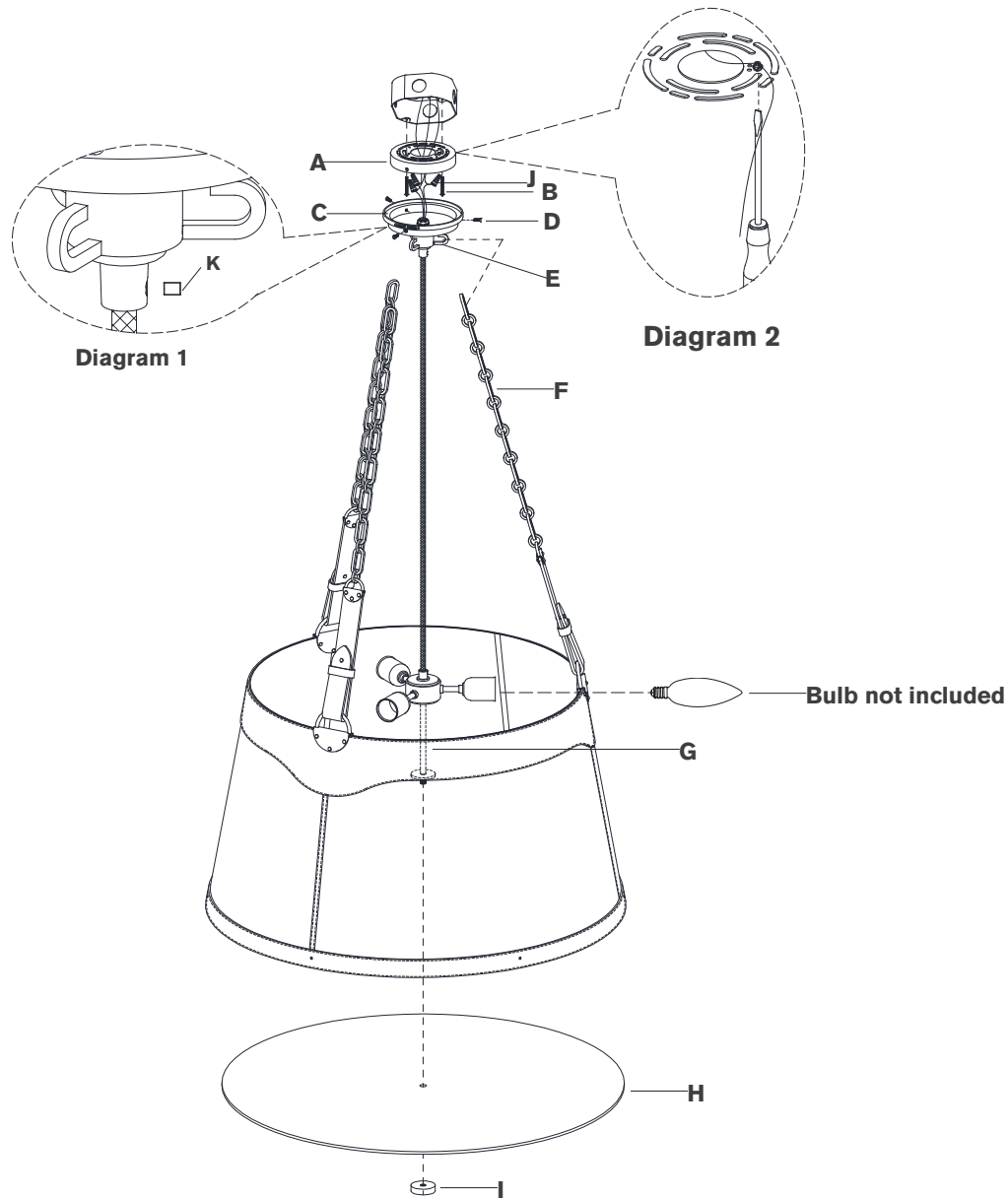


ASSEMBLY INSTRUCTIONS



Karlie Large Hanging Shade

Item # RL 5532

NOTICE:

This light fixture should be installed in accordance with all applicable, local installation codes, and by a person familiar with the construction and operation of it, as well as the hazards involved. Inspect item and contents carefully. If any damage or defect is found, do not install. Retain all packaging material until installation is complete and approved.

TOOLS REQUIRED (NOT INCLUDED):

Phillips Screwdriver

Slotted Screwdriver

Wire Cutters

Wire Strippers

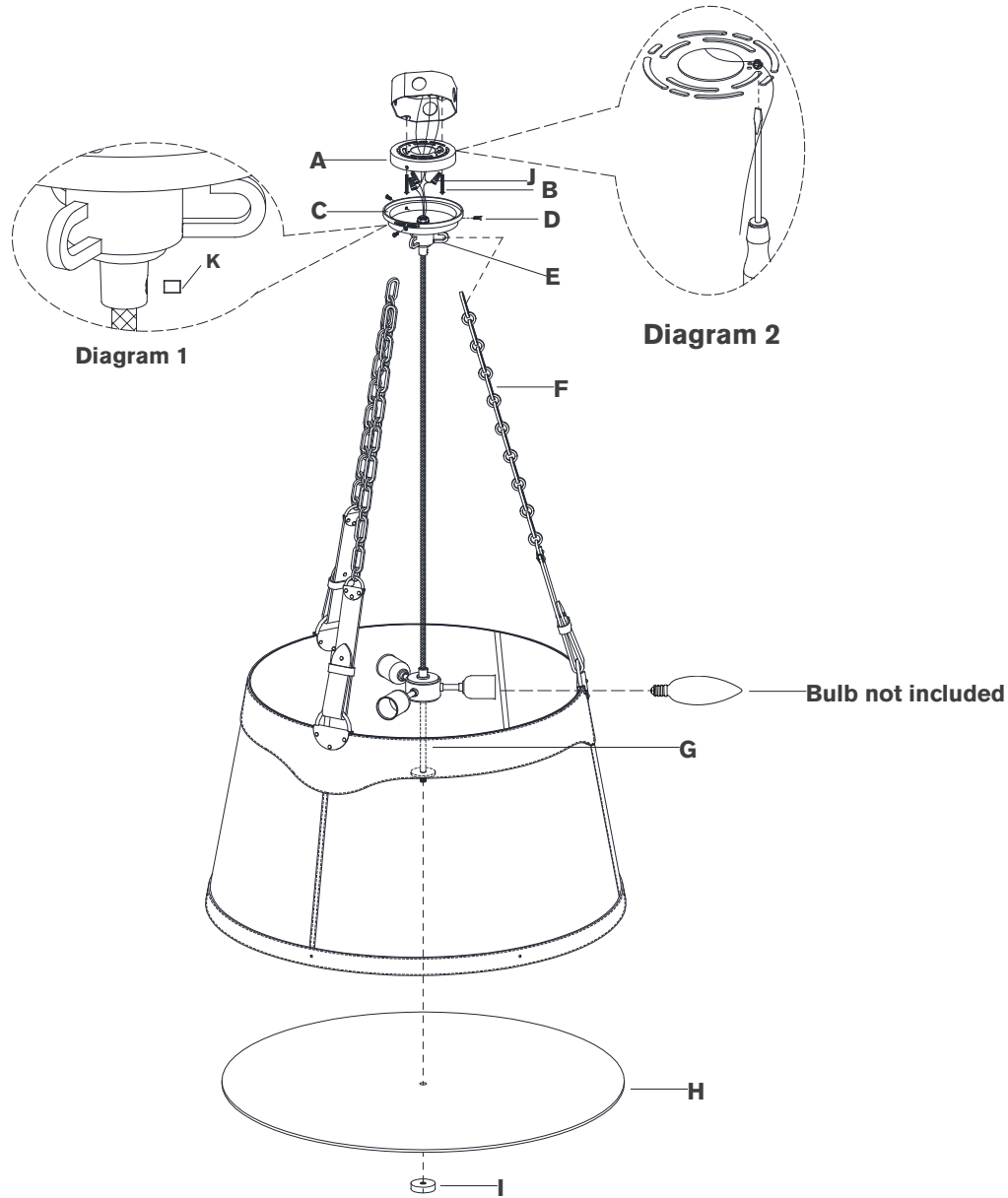
1. Carefully remove all parts from the box. Place on a clean, soft surface.
2. Remove mounting plate **(A)** from canopy **(C)** by removing canopy screws **(D)**.
3. Install mounting plate **(A)** to junction box and secure with mounting screws **(B)**.
4. Hang chains **(F)** to the hooks **(E)** on bottom of canopy.
5. Loosen set screw **(K)**, adjust cord to desired height and then tighten set screw **(K)**. See diagram 1.
6. Cut excess wires, being sure to leave enough length to reach the junction box. Separate wires, and strip insulation on each 5/8".
NOTE: Carefully measure and confirm cluster height before cutting wires.
7. Wrap fixture ground wire (bare copper) around the green grounding screw (see diagram 2). Tighten. Continue fixture ground wire and connect to supply ground wire (usually green or bare copper) using wire nut **(J)**.
NOTE: It is imperative that the fixture is grounded.
8. Connect fixture neutral wire (white) to the supply neutral wire (usually white) using wire nut **(J)**.
9. Connect fixture hot wire (black) to the supply hot wire (usually black) using wire nut **(J)**.

CAUTION: Do not reverse the hot and neutral connections.

RALPH LAUREN



ASSEMBLY INSTRUCTIONS



Karlie Large Hanging Shade

Item # RL 5532

NOTICE:

This light fixture should be installed in accordance with all applicable, local installation codes, and by a person familiar with the construction and operation of it, as well as the hazards involved. Inspect item and contents carefully. If any damage or defect is found, do not install. Retain all packaging material until installation is complete and approved.

10. Make sure all wire connections are tight, then carefully tuck into the junction box.
11. Install canopy (C) to mounting plate (A) and secure with canopy screws (D).
12. Remove finial (I) from rod (G), then install diffuser (H) to the rod (G) and secure with finial (I).
13. Install light bulbs to the sockets.

Care Instructions: Clean only with a soft dry cloth or feather duster. Do not use abrasive or chemical agents.

RALPH LAUREN

