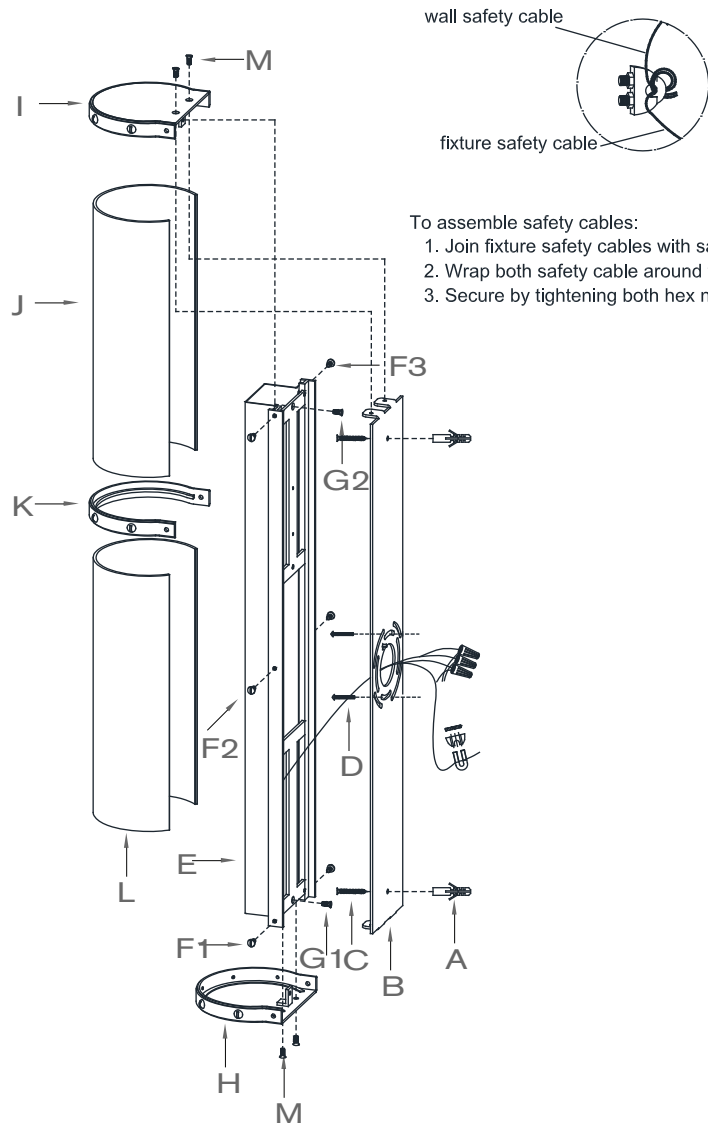


ASSEMBLY INSTRUCTIONS



Bleeker Double Bath Sconce

Item # RL 2534

NOTICE:

This light fixture should be installed in accordance with all applicable, local installation codes, and by a person familiar with the construction and operation of it, as well as the hazards involved. Inspect item and contents carefully. If any damage or defect is found, do not install. Retain all packaging material until installation is complete and approved.

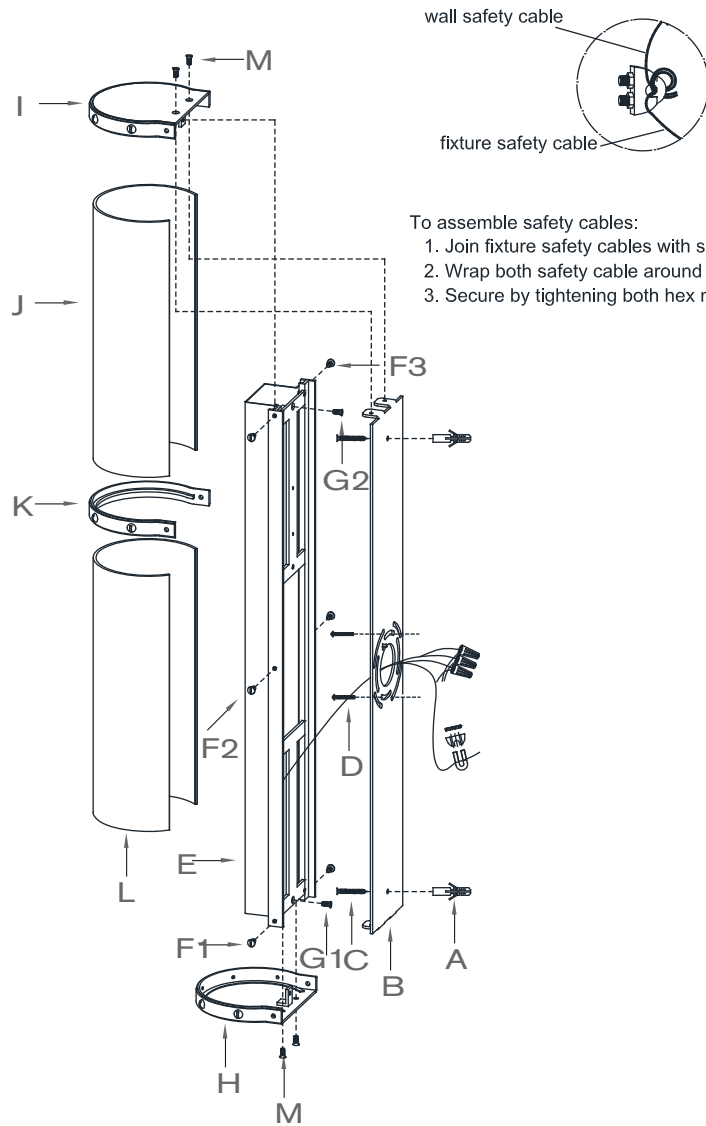
1. Carefully remove all parts from the box. Place on a clean, soft surface.
2. Loosen screws (F1) and (G1), attach shade holder (H) to the bottom of fixture base (E) and secure with screws (F1) and (G1).
3. Insert glass shade (L) into shade holder (H), place cap (K) onto the top of shade (L) and secure by with screws (F2).
4. Insert glass shade (J) onto cap (K) and place cap (I) to top of fixture base (E) and secure with screws (F3) and (G2).
5. Position mounting plate (B) on the wall outlet box. Mark center points for mounting slot with a pencil on the wall. Remove mounting plate (B).
6. Drill small holes on each point location on the wall, each hole should be large enough to accommodate to the plastic anchor (A). Push plastic anchors (A) into the holes in the wall.
7. Affix mounting plate (B) to wall outlet box, aligning holes and secure by inserting mounting screws (D) to the holes of outlet box and screws (C) to the plastic anchors (A) in the wall.
8. Gently pull the wires from the wall outlet and allow the wires to hang. Thread the wires through the center hole in mounting plate (B).
9. Attach fixture steel safety cable to structural member in the ceiling. (Refer to the illustration)
10. Attach ground (green) wire to ground wire from wall outlet box (usually green or copper in color), fasten together with a plastic wire connector. Tightly wrap the wire with electrical tape, so the end of the connector is sealed.

IT IS IMPERATIVE THAT THE OUTLET BOX IN YOUR HOME BE PROPERLY GROUNDED.

RALPH LAUREN



ASSEMBLY INSTRUCTIONS



Bleeker Double Bath Sconce

Item # RL 2534

NOTICE:

This light fixture should be installed in accordance with all applicable, local installation codes, and by a person familiar with the construction and operation of it, as well as the hazards involved. Inspect item and contents carefully. If any damage or defect is found, do not install. Retain all packaging material until installation is complete and approved.

11. Connect neutral (white) fixture wire coming from fixture base to neutral (usually white) outlet wire. Fasten both wires together with a plastic wire connector and tightly wrap the wire connector with electrical tape.
12. Repeat the procedure with the hot (black) wires. Always make sure that no wire strands are left outside the connectors.
DO NOT REVERSE THE HOT AND NEUTRAL CONNECTIONS OTHERWISE SAFETY WILL BE COMPROMISED.
13. Attach fixture base (E) to mounting plate (B) and secure by inserting base screws (M).
14. Restore power and test fixture. Installation is complete.

Care Instructions: Clean only with a soft dry cloth or feather duster. Do not use abrasive or chemical agents.

RALPH LAUREN