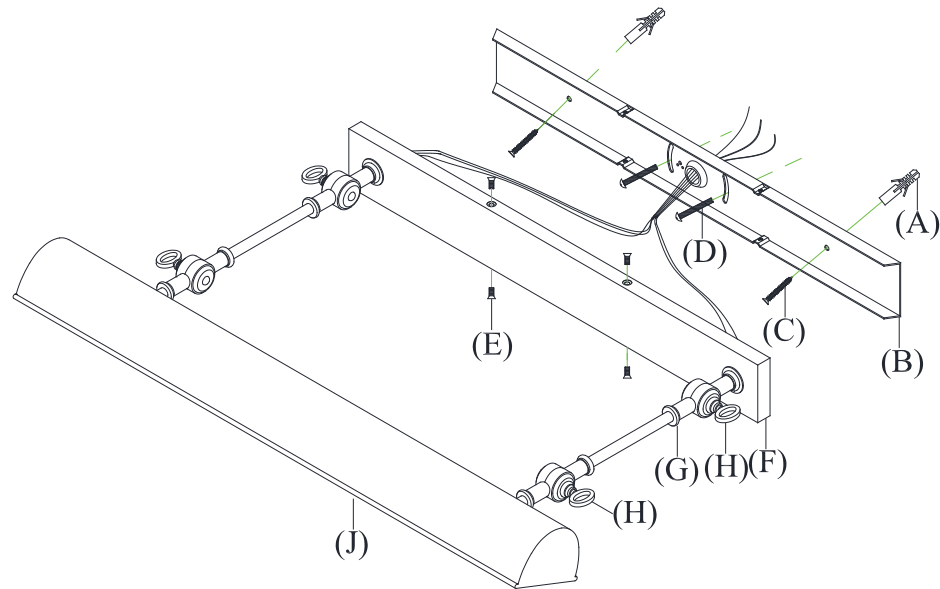


## ASSEMBLY INSTRUCTIONS



## Anette 24" Picture Light

Item # RL2277

### NOTICE:

This light fixture should be installed in accordance with all applicable, local installation codes, and by a person familiar with the construction and operation of it, as well as the hazards involved. Inspect item and contents carefully. If any damage or defect is found, do not install. Retain all packaging material until installation is complete and approved.

1. Carefully remove all parts from the carton.
2. Remove mounting plate (B) from lantern box (F) by removing base screws (E).
3. Place mounting plate (B) on the wall outlet box, use it as a template, mark points for two mounting holes of mounting plate (B) on the wall. Remove back plate (B).
4. Drill small holes on the marked points, the holes should be big enough to accommodate with plastic anchors (A). Push plastic anchors (A) into the holes.
5. Place mounting plate (B) to wall outlet box by aligning the holes, inserting mounting screws (D) to wall outlet box and screws (C) to the plastic anchors (A) to secure mounting plate (B) to the wall.
6. Attach ground (green or green/yellow) wire to ground wire from wall outlet box (usually green or copper in color ), fasten together with a plastic wire connector. Tightly wrap the wire connector with electrical tape. So the end of the connector is sealed.

IT IS IMPERATIVE THAT THE OUTLET BOX IN YOUR HOME BE PROPERLY GROUNDED.

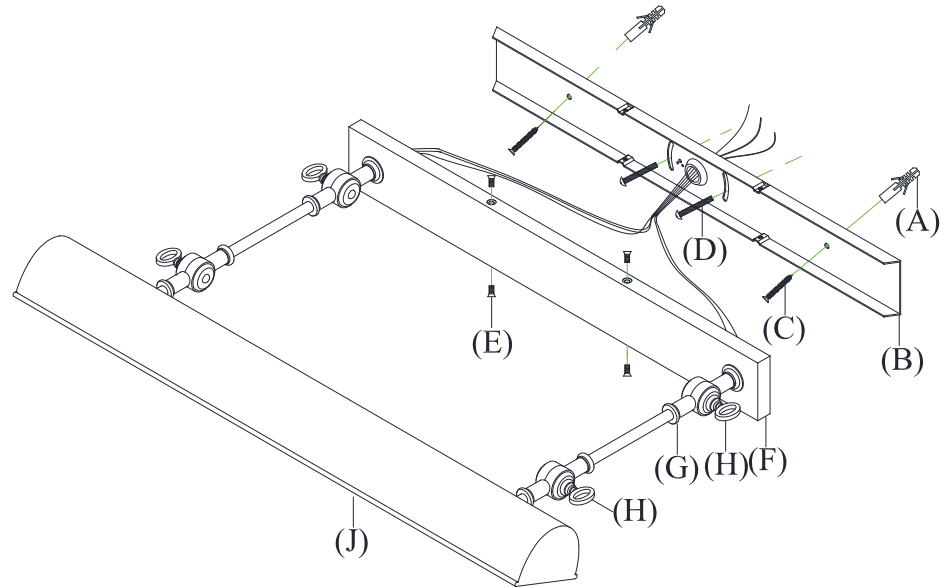
7. Connect neutral (white ) fixture wire coming from fixture base to neutral (usually white ) outlet wire. Fasten both wires together with a plastic wire connector and tightly wrap the wire connector with electrical tape.
8. Repeat the procedure with the hot (black) wires. Always make sure that no wire strands are left outside the connectors.

DO NOT REVERSE THE HOT AND NEUTRAL CONNECTIONS OTHERWISE SAFETY WILL BE COMPROMISED.

# RALPH LAUREN



## ASSEMBLY INSTRUCTIONS



## Anette 24" Picture Light

Item # RL2277

### NOTICE:

This light fixture should be installed in accordance with all applicable, local installation codes, and by a person familiar with the construction and operation of it, as well as the hazards involved. Inspect item and contents carefully. If any damage or defect is found, do not install. Retain all packaging material until installation is complete and approved.

7. Attach fixture base (F) to the affixed mounting plate (B) and secure with base screws (E).
8. Insert light bulbs into sockets.
9. Installation is complete. Restore power and test fixture.

### ADJUSTMENT INSTRUCTIONS

1. Loosen adjustment keys (H).
2. Adjust shade (J) and arm (G) to desired position.
3. Tighten the adjustment keys (H).

**Care Instructions:** Clean only with a soft dry cloth or feather duster. Do not use abrasive or chemical agents.

# RALPH LAUREN

